

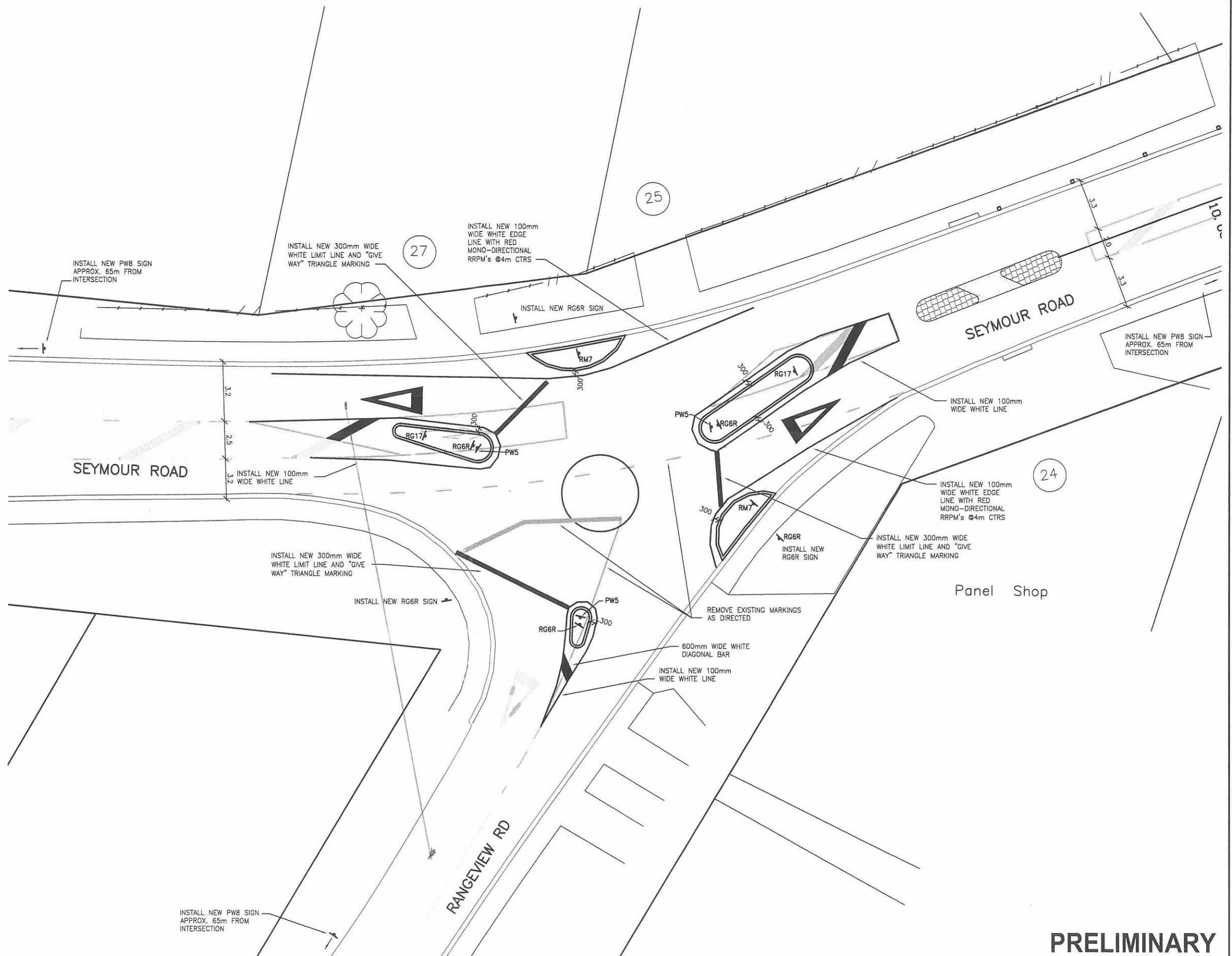
**GENERAL NOTES:**

1. Levels in terms of Terralink NZ Ltd. datum. Auckland 1946 Datum (M.S.L.).
2. Coordinates in terms of Mt. Eden circuit. Circuit origin = Mt. Eden 700,000mN, 300,000 mE

**STANDARD ROADMARKING NOTES**

1. All road markings to comply with L.T.S.A. (T.N.Z.) 'Manual of Traffic Signs & Markings-Part 2: Markings', unless otherwise instructed.
2. All existing markings to be removed where they conflict with new markings. Where required, existing roadmarking shall be completely removed by high pressure water blasting prior to application of new lines.
3. Raised reflective pavement markers (RRPM'S) for flush median & centrelines, shall be bi-directional white RRPM's, unless otherwise shown.
4. All signs to comply with 'TNZ Manual of Traffic Signs and Marking-Part 1: Traffic Signs'
5. Signposts, sockets and sleeve details shall be supplied & installed as per Standard SD 3.22 etc.

- \* EXISTING ROAD MARKINGS TO REMAIN.
- \* ALL SIGN LOCATIONS TO BE CONFIRMED WITH THE ENGINEER ON SITE.



**PRELIMINARY**

W A I T A K E R E C I T Y C O U N C I L

**SEYMOUR RD-RANGEVIEW RD  
MINOR SAFETY PROJECTS  
PLAN (ROADMARKING)**

I:\Project Management\Cad\ROADS\RD16147.dwg, 14/01/2010 4:19:32 p.m.



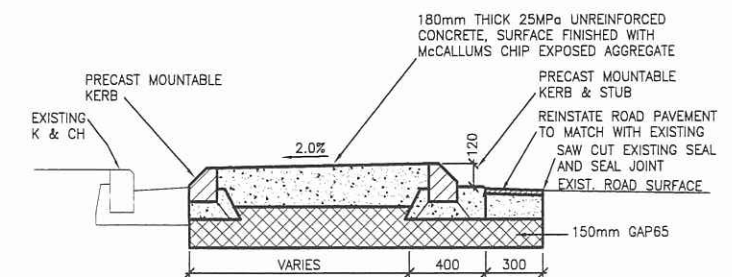
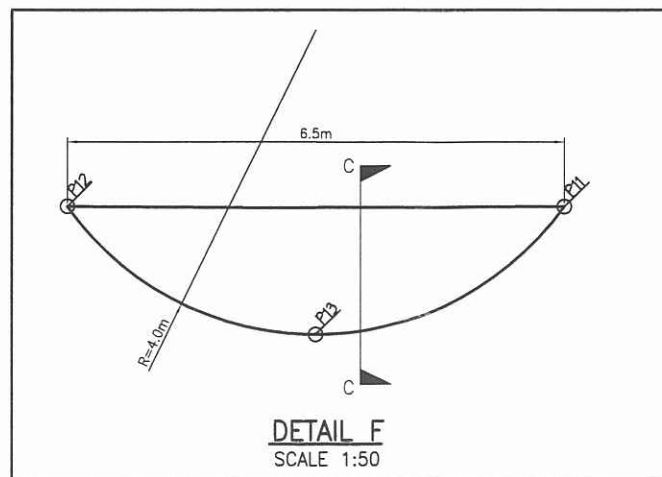
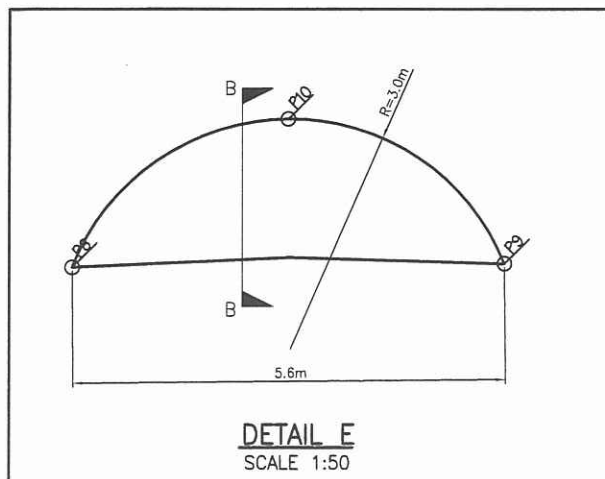
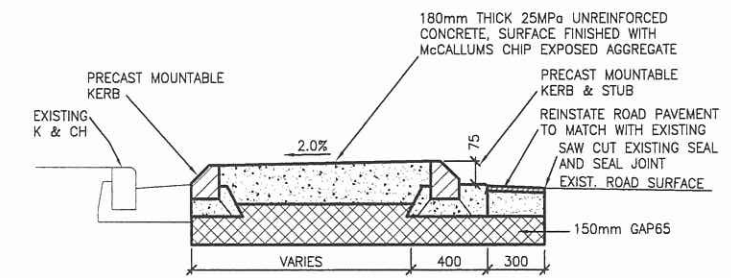
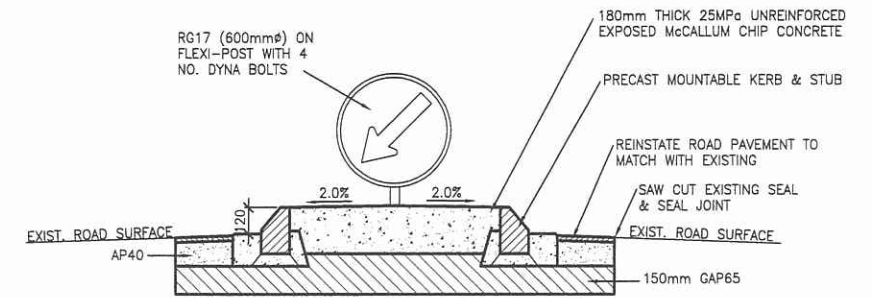
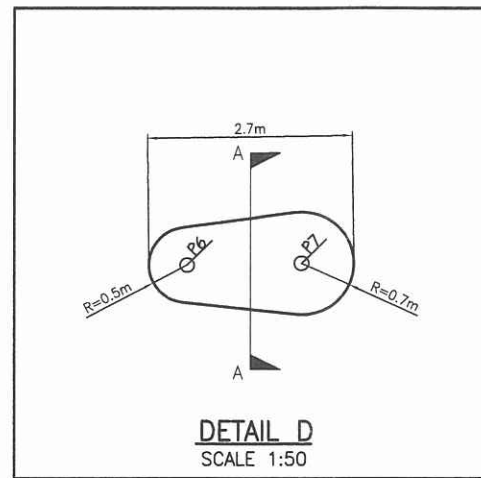
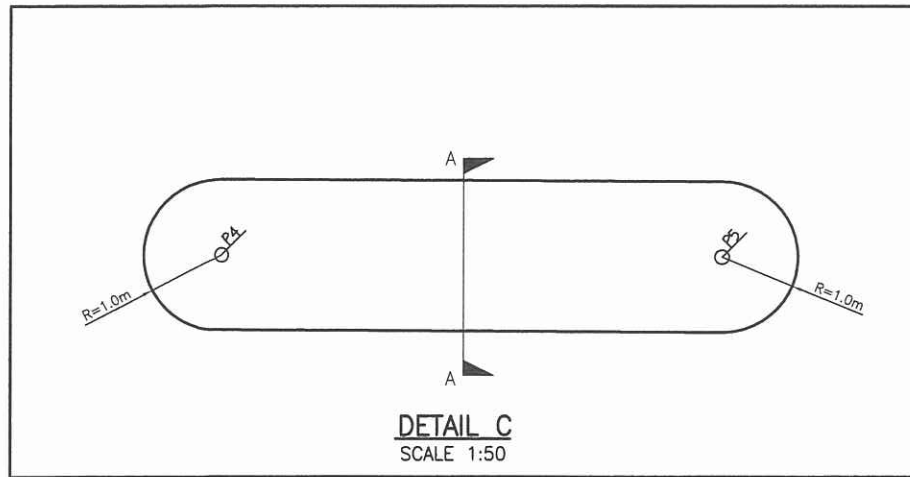
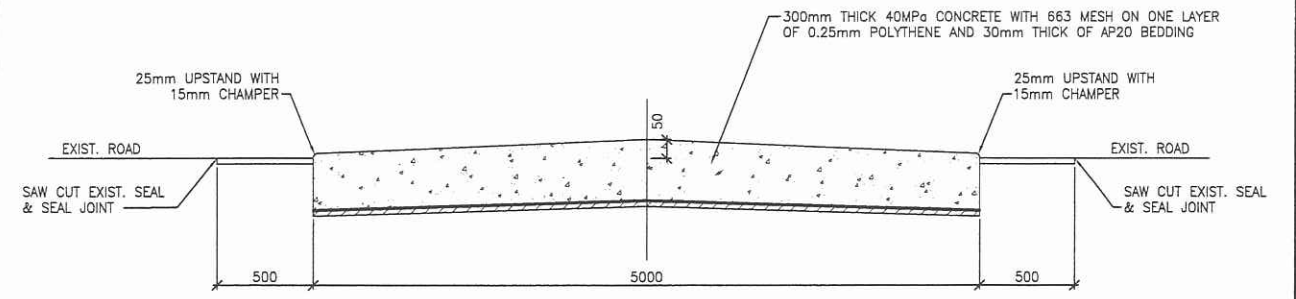
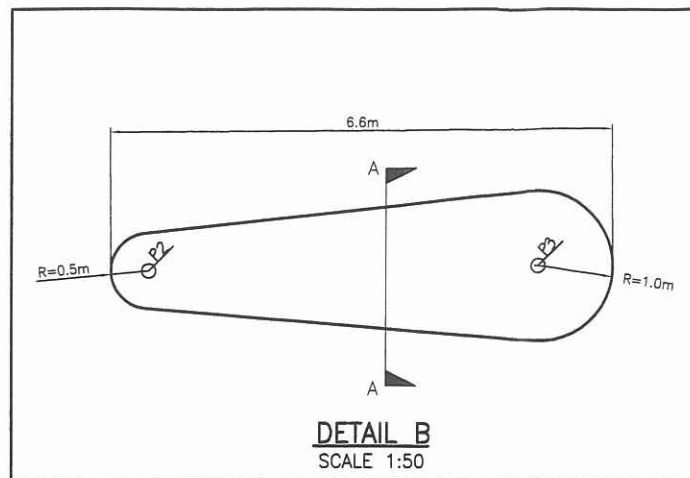
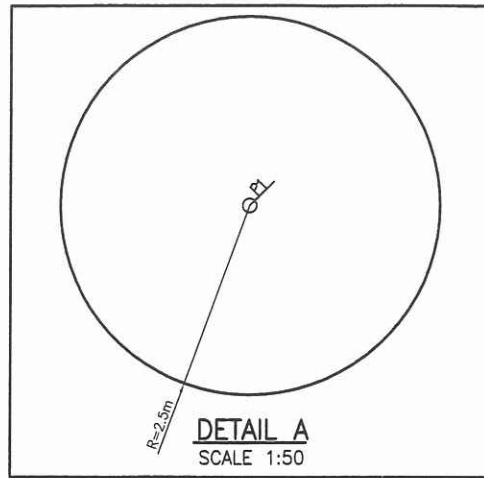
SURVEYED	DATE	REVISION	BY	DATE
DESIGNED K.Mayakaduwa	8/08			
DRAWN H.PATEL	8/08			
COMPUTED M. DEWSON	2/09			
DWG CHECK				
DESIGN CHECK				
CAD FILE RD16147	8/08			

ASSET MANAGER	
PROJECT SERVICES	

ORIGINAL SCALE	1:125
SHEET	DRAWING No.
2	16147
OF	
3	CONTRACT No.
SHEETS	TA08004A
	A1 ORIGINAL

**SET OUT DATA**

SET OUT POINTS	CO-ORDINATES	
	NORTH (m)	EAST (m)
P1	697848.92	288348.74
P2	697844.58	288335.90
P3	697846.66	288340.58
P4	697856.71	288352.17
P5	697862.93	288354.28
P6	697841.66	288352.50
P7	697840.32	288353.18
P8	697850.00	288357.67
P9	697855.58	288357.87
P10	697852.99	288355.91
P11	697858.21	288344.01
P12	697853.50	288339.49
P13	697854.77	288343.05



**PRELIMINARY**

DATE	REVISION	BY	DATE
8/08			
8/08			
2/09			
8/08			

**W A I T A K E R E C I T Y C O U N C I L**

**SEYMOUR RD-RANGEVIEW RD**  
MINOR SAFETY PROJECTS  
DETAILS

I:\Project Management\Cad\ROADS\RD16147.dwg, 14/01/2010 4:17:10 p.m.

ORIGINAL SCALE	AS SHOWN
SHEET 3 OF 3	DRAWING No. 16147
	CONTRACT No. TA08004A
	REVISION
	A1 ORIGINAL

